



LED PL : DIRECT REPLACEMENT LAMPS

DESCRIPTION

LED PL Replacement Lamps directly replace fluorescent PL lamps at a fraction of the energy cost.

FEATURES

- Plug-and-Play installation for 2-pin G23, GX23 or GX23-2 base (magnetic ballast compatible)
- Lasts 5x longer than compact fluorescent lamps
- Consumes up to 87% less energy than conventional CFL
- Base rotates for precision orientation once installed in fixture
- Shatter-resistant for reduced risk of injury and breakage
- Instant-on with no warmup, unlike CFLs
- G23 directly replaces 7W, 9W, 11W dual tube PLS CFL lamps
- GX23 directly replaces 13W dual & quad tube PLS CFL lamps
- GX23 (duo) base version also fits GX23-2 (quad)

WARRANTY

- 5 year limited warranty; see eiko.com for warranty details

APPLICATIONS

- Commercial/Residential
- Hotel/Hospitality
- Education
- Healthcare
- Retail
- Property Management



G23 base



GX23 base



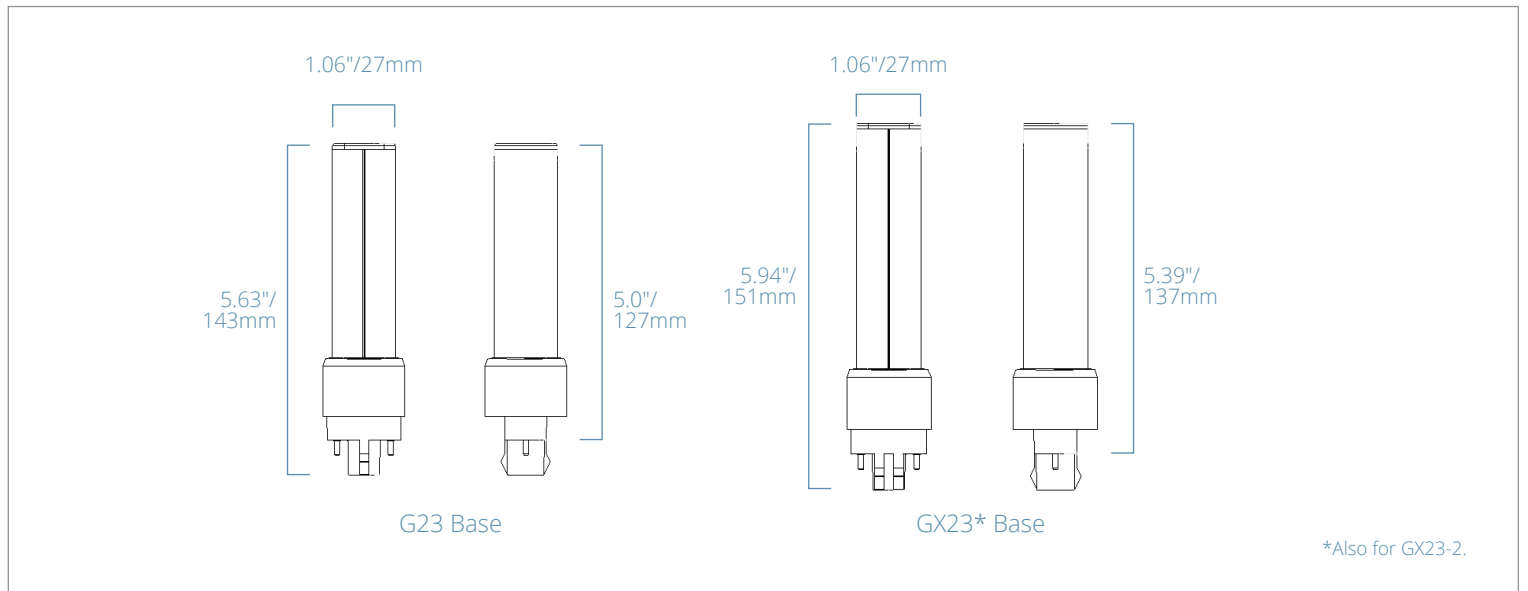
PERFORMANCE	Power Consumption	5W	7W
	Lumens	475/500	650/700
	Efficacy (LPW)	95/100	93/100
	CRI	80+	
	Beam	120°	
	CCT	2700K, 3500K, 4000K, 5000K	
	Life (L70)	50,000 hours	
ELECTRICAL	Power Factor	≥0.9	
	THD	<20%	
	Input Voltage	120-277V	
CONSTRUCTION	Base	G23, GX23	
LISTINGS	Certification(s)	cULus Classified	
	Material Usage	RoHS Compliant; no mercury or lead	
	Environment	UL/cUL Classified for damp locations	

PERFORMANCE SUMMARY

Order Code	Item #	Lumens	Watts	CCT	CRI	MOL	Orientation	Base	Life/Hours	Replaces Fluor
09526	LED5W2PH/G23/827-G7*	475	5W	2700K	80+	143mm	Horizontal	G23	50K	7/9/11W 2 pin dual
09527	LED5W2PH/G23/835-G7*	475	5W	3500K	80+	143mm	Horizontal	G23	50K	7/9/11W 2 pin dual
09528	LED5W2PH/G23/840-G7*	500	5W	4000K	80+	143mm	Horizontal	G23	50K	7/9/11W 2 pin dual
09529	LED5W2PH/G23/850-G7*	500	5W	5000K	80+	143mm	Horizontal	G23	50K	7/9/11W 2 pin dual
09530	LED7W2PH/GX23/827-G7*	650	7W	2700K	80+	151mm	Horizontal	GX23	50K	13W 2 pin dual & quad
09531	LED7W2PH/GX23/835-G7*	650	7W	3500K	80+	151mm	Horizontal	GX23	50K	13W 2 pin dual & quad
09532	LED7W2PH/GX23/840-G7*	700	7W	4000K	80+	151mm	Horizontal	GX23	50K	13W 2 pin dual & quad
09533	LED7W2PH/GX23/850-G7*	700	7W	5000K	80+	151mm	Horizontal	GX23	50K	13W 2 pin dual & quad

NOTE: Use order code when ordering. Visit eiko.com for complete ballast compatibility information. *Not for use with emergency ballasts.

DIMENSIONS



BALLAST COMPATIBILITY

- Philips Advance H-1B13-TP
- Philips Advance LPL-5-9-TP
- Robertson SP4827P